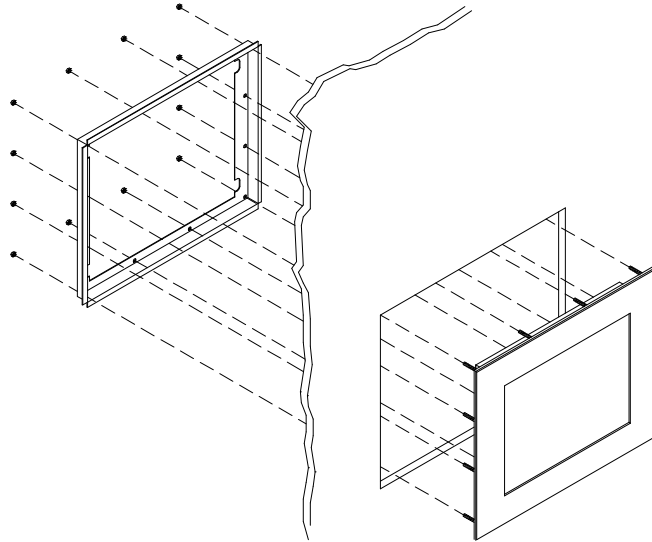


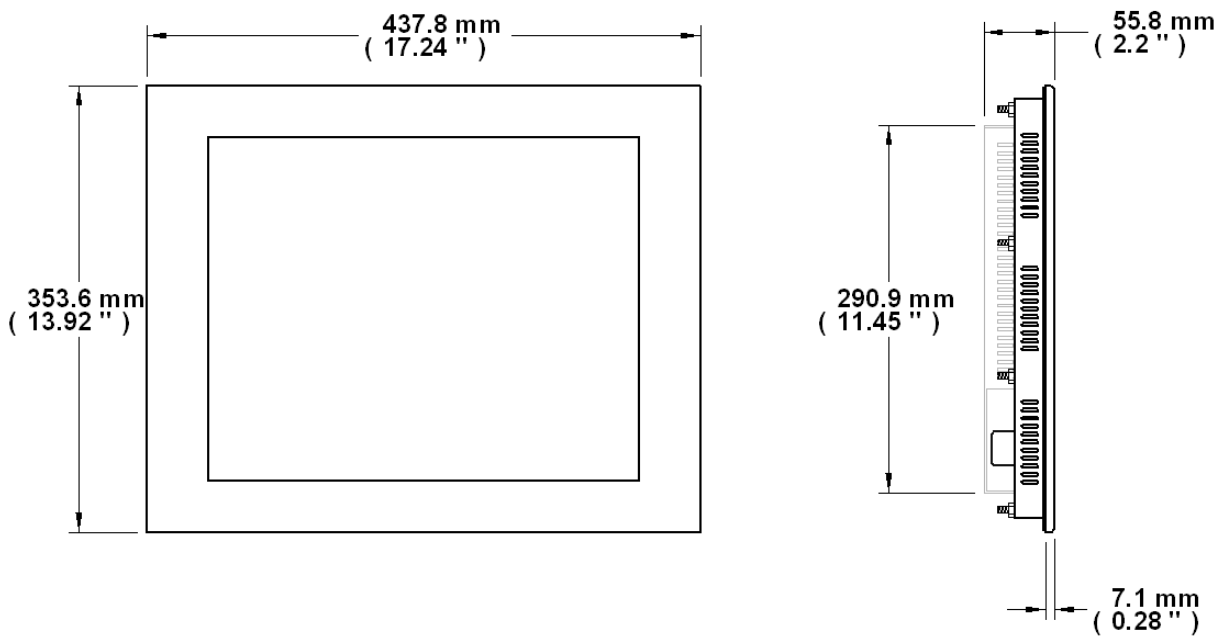
# Envelope Drawings

## HIS ML17 Panel Mount Industrial LCD Monitor

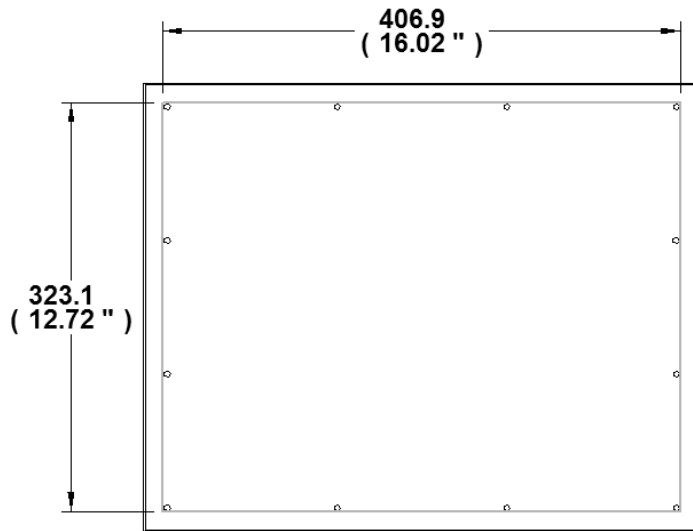
### Enclosure Mounting Diagram



### Front and Side Views



### Rear View (Showing Cutout Dimensions)



### Rear and Bottom Views

